

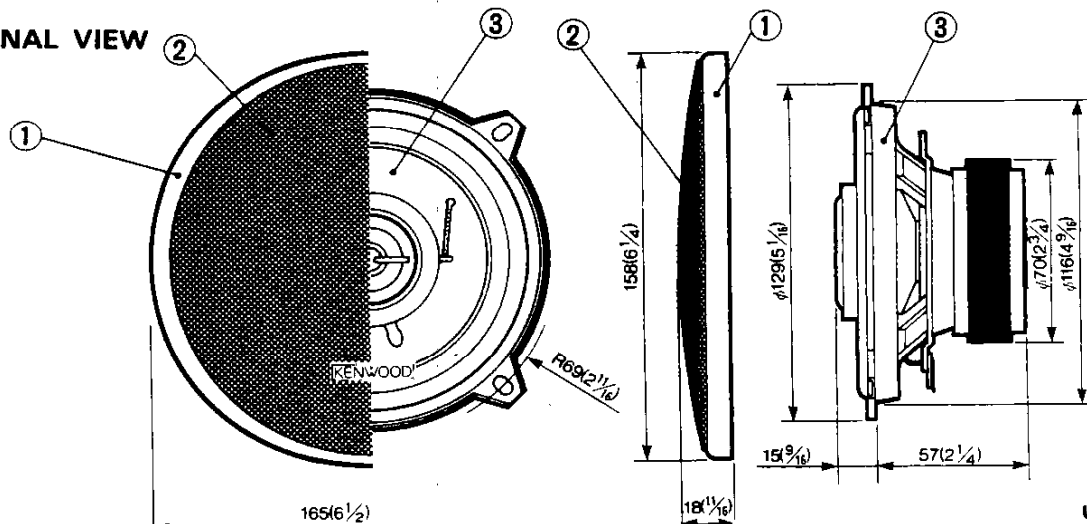
# KFC-S130

## SERVICE MANUAL

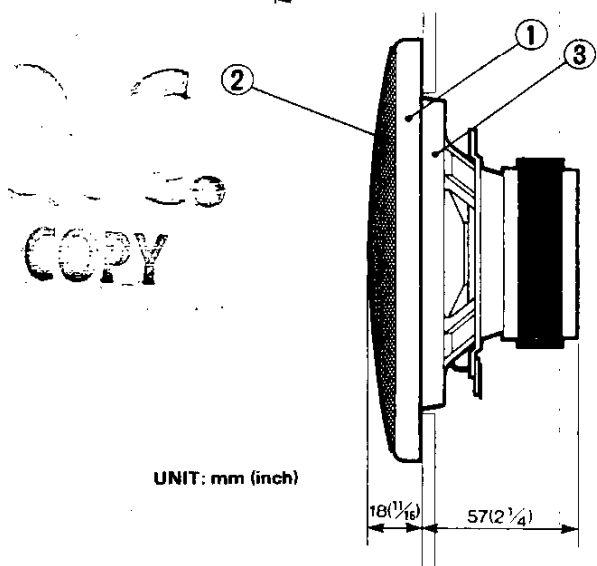
# KENWOOD

©1989-1 PRINTED IN JAPAN  
B51-3784-00(B)1160

### EXTERNAL VIEW






UNIT: mm (inch)



UNIT: mm (inch)

### PARTS INCLUDED

-  4.5m (15ft) ..... X 2
-   $\phi 4-20$  (3/16-3/4) ..... X 8
-  ..... X 8

### PARTS LIST

★ New parts  
Parts without **Parts No.** are not supplied.  
Les articles non mentionnés dans le **Parts No.** ne sont pas fournis.  
Teile ohne **Parts No.** werden nicht geliefert.

Ref No.	New Parts	Parts No.	Description
①	★	B06-0285-08 B46-0100-10	FRONT GRILLE WARRANTY CARD
②	★	E30-1181-08 F09-0863-08	CORD SET PROTECTOR
③	★	N99-1088-08 T15-0128-08	SCREW SET SPEAKER

### SPECIFICATIONS

- Speakers
- Woofer ..... 13cm(5 1/4in) Water proof  
P-P cone type  
230g(8oz) Magnet
  - Tweeter ..... 2.5cm(1in) Balanced dome type
  - Peak power ..... 80Watts
  - Frequency Response ..... 45Hz ~ 22,000Hz
  - Sensitivity ..... 90dB/W at 1m
  - Impedance ..... 4 ohms
  - Weight per speaker with grille ..... 0.83kg(1 lb 13 oz)/pc

We follow a policy of advancements in development.  
For this reason specifications may be changed without notice.